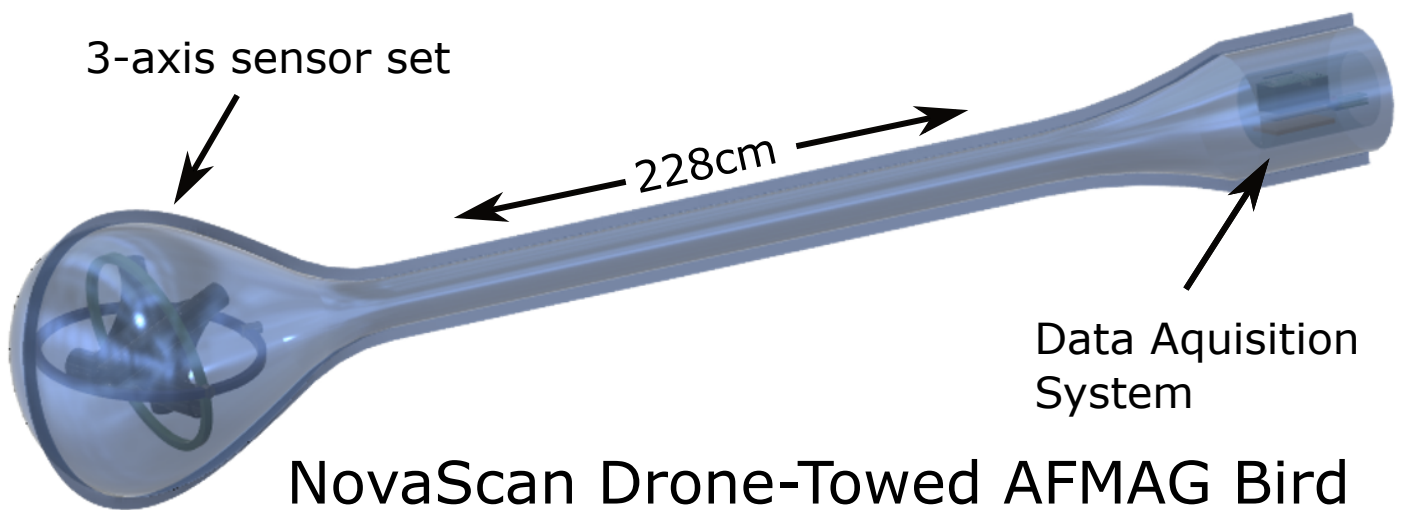


# New Tools to Advance Mineral Exploration

Novaminex is developing new electromagnetic tools for mapping geology and for detection and characterization of sulphide mineral deposits.

NovaScan is a lightweight AFMAG system which uses passive geomagnetic signals to create subsurface 3D maps of electrical conductivity. In addition to being able to detect shallow mineral deposits, NovaScan will be useful in resolving different lithologies and mapping structures. NovaScan will be a product available for sale to end users and contractors as a drone-towed or a backpack-portable system and will provide valuable geological information early in a project's life at a low cost and with low environmental impact.



Weight: 4Kg  
Bandwidth: 100Hz-25kHz  
Noise Floor: 4fT/rt(Hz) @5kHz  
Noise Floor: 80fT/rt(Hz) @100Hz  
Data Rate: 50,000 x 3 ch  
Orientation: Low-drift gyro  
Post processing: Scalar, Full Tensor

